

COMPRESSED AIR AUTOMATIC DRAIN VALVES CAD

DESCRIPTION

The ADCA CAD compressed air automatic drain valve consists of a solid-state timer coupled to a solenoid valve.

It is specially designed for automatic drainage of filters, separators, aftercoolers, dryers, receivers, drip legs and other compressed air system components where condensate and contaminants may collect. The drainage interval and discharge time can be adjusted according to the requirements.

MAIN FEATURES

Easy to read and set time for on/off periods.

Adjustable interval and discharge times.

Manual test button.

Simple to install.

OPTIONS: Stainless steel valve body.

USE: Compressed air, oil, gases and liquids compatible with the materials of construction.

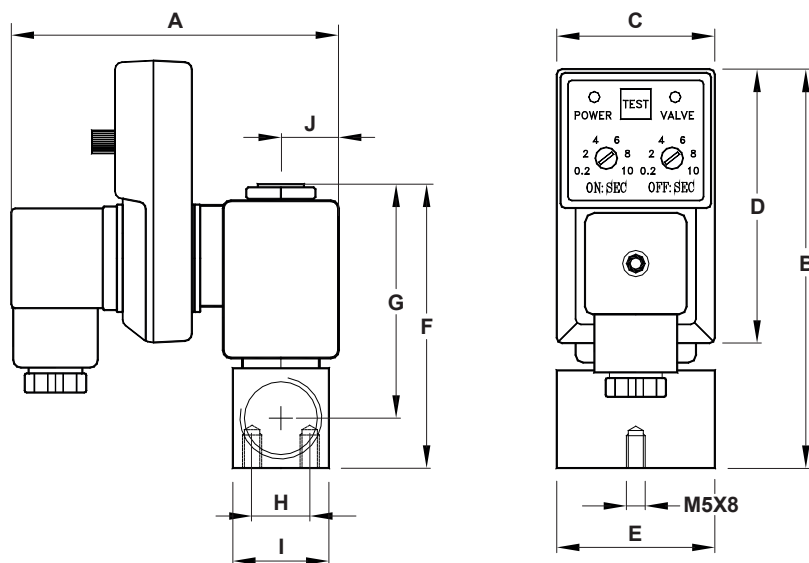
AVAILABLE
MODELS:

CAD.

SIZES: 3/8" and 1/2".

CONNECTIONS: Female threaded ISO 7 Rp.

INSTALLATION: In any position.



TECHNICAL DATA

TIMER	
Supply voltage	215 to 265 V AC (24 V DC on request)
IP rating	IP 65
Material	Housing in PC/ABS
Ambient temperature	-40 to +60 °C
Interval time	0,5 to 45 minutes
Discharge time	0,5 to 10 seconds
Connections	DIN 43650A ISO 4400/6952

VALVE	
Type	2/2 way direct acting
Maximum operating pressure	16 bar (40 or 80 bar on request)
Maximum operating temperature	90 °C
Ambient temperature	2 to 55 °C
Material	Forged brass
Orifice	Ø 4,5 mm
Insulation	Thermal group H (200 °C)

DIMENSIONS (mm)										
SIZE	A	B	C	D	E	F	G	H	I	WGT. (kg)
3/8"	90	112	42	75	46	75	63	15	20	0,4
1/2"	90	112	42	75	40	75	63	15	20	0,4